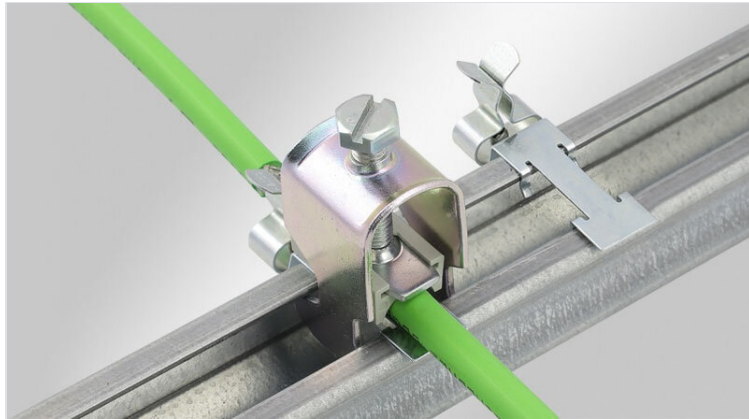


# EMC shield clamps for C section rail C30

with or without integrated strain relief



EMC shield clamps are used, where the shield of cables must be connected to the earth potential. They are easy to use and effective in earthing single cable shields.

When using types with integrated strain relief cables can be fixed via the cable jacket using cable ties. Thus strain relief in accordance with EN 62444 is achieved. We also offer EMC shield clamps with double strain relief function acc. to PROFINET installation guidelines.

Due to its special design the clamping ranges of the MSKL are very large while the dimensions are comparatively small. (Example: MSKL 3-12, assembled with a 12 mm cable shield: width 26.25 mm).

The shield clamps can be mounted on C section rails C30 using the SC screw foot.

With the LFC cable shield clamp the cable shield is directly contacted at the C section rail. Your existing cable clamp can still be used for strain relief. The LFC clamp is simply snapped onto the C-rail and is then fixed using the screw of your cable clamp.

**Now available:** sets consisting of EMC shield clamp LFC and matching CCL bracket clip.

## Specifications

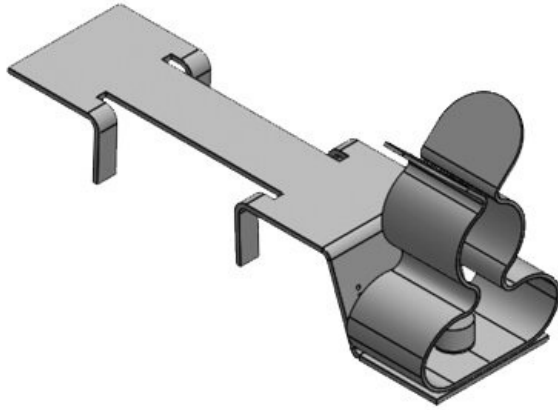
<b>Material</b>	Shield clamp: Spring steel, zinc plated Shield bracket: Mild steel, galvanically zinc plated Screw foot: Mild steel, galvanically zinc plated
<b>Properties</b>	vibration proof
<b>Mounting options</b>	Screw type mounting, Clamping, Snap-in

## Advantages & benefits

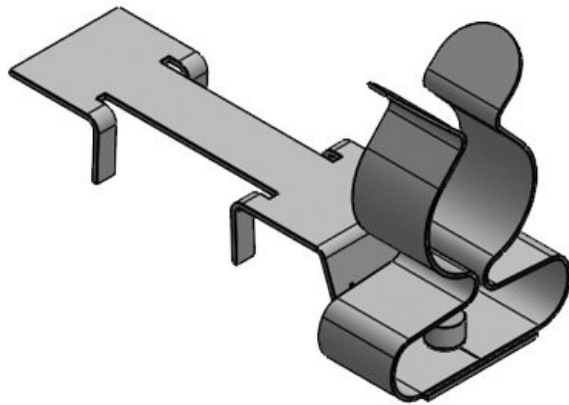
- Partially with integrated strain relief
- Large contact area
- Shield contact and strain relief separated
- Easy assembly and removal
- The spring design requires no adjustments and will permanently maintain contact to the cable shield
- Shock and vibration resistant, maintenance free
- Integrated double strain relief function acc. to PROFINET installation guidelines
- For mounting on all standard C section rails C30 (16-17 mm)
- LFC: space-saving due to the combination of the LFC shield clamp with a cable clamp

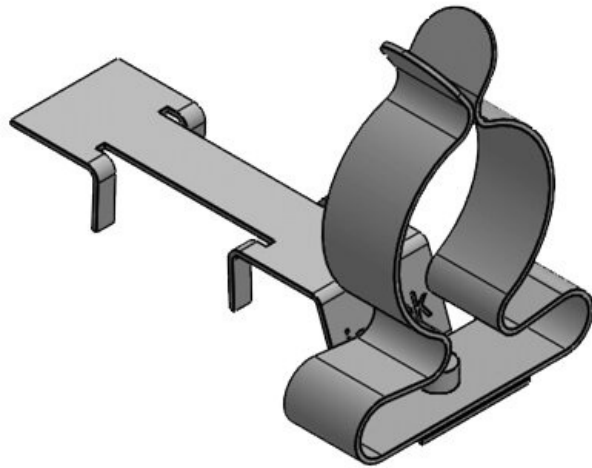
## Product types & sizes

Part No.	<b>37670.100</b>	Min. shield diam.	<b>3 mm</b>
EAN	<b>4251269322</b>	Max. shield diam.	<b>12 mm</b>
Package quantity	<b>10</b>	Width	<b>15 mm</b>
No. of shield clamps	<b>1</b>	Height	<b>22 mm</b>
Length	<b>45,9 mm</b>		
Strain relief (acc. to EN 62444)	<b>1</b>		
For max. no. of cables	<b>1</b>		

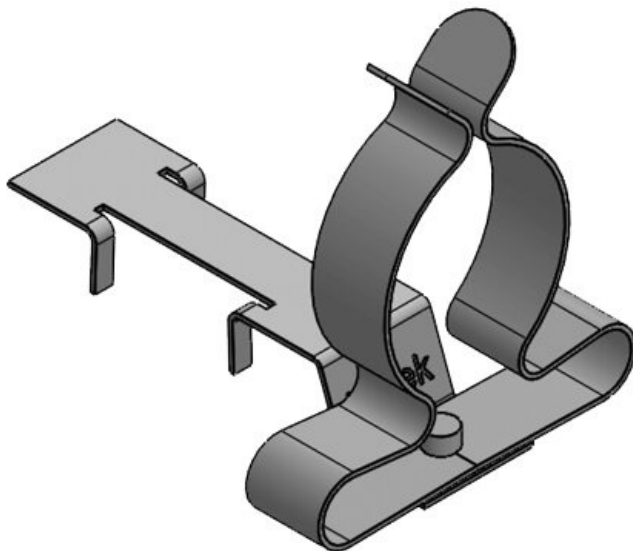


Part No.	<b>37671.100</b>	Min. shield diam.	<b>8 mm</b>
EAN	<b>4251269322</b>	Max. shield diam.	<b>18 mm</b>
Package quantity	<b>10</b>	Width	<b>20 mm</b>
No. of shield clamps	<b>1</b>	Height	<b>28,2 mm</b>
Length	<b>45,9 mm</b>		
Strain relief (acc. to EN 62444)	<b>1</b>		
For max. no. of cables	<b>1</b>		



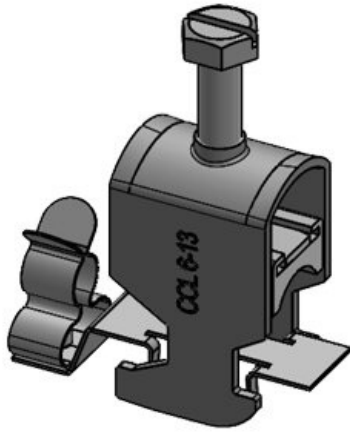


Part No.	<b>37672.100</b>	Min. shield diam.	<b>17 mm</b>
EAN	<b>4251269322</b>	Max. shield diam.	<b>22 mm</b>
Package quantity	<b>10</b>	Width	<b>26,5 mm</b>
No. of shield clamps	<b>1</b>	Height	<b>36 mm</b>
Length	<b>45,9 mm</b>		
Strain relief (acc. to EN 62444)	<b>1</b>		
For max. no. of <b>1</b> cables			

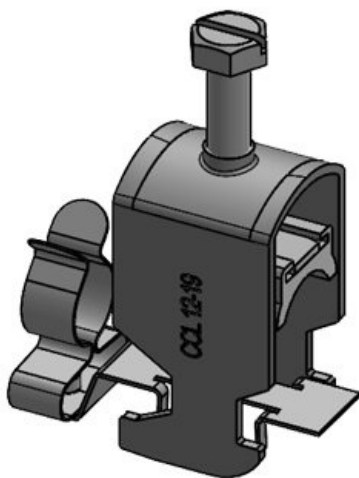


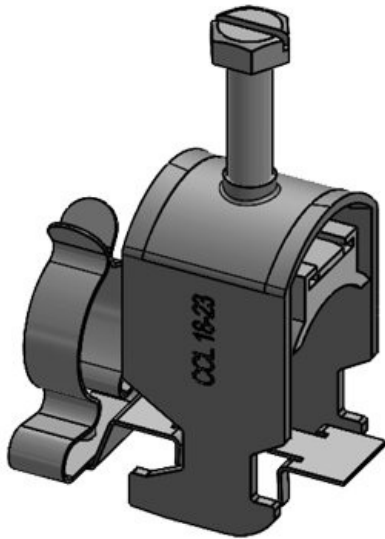
Part No.	<b>37673.100</b>	Min. shield diam.	<b>22 mm</b>
EAN	<b>4251269322</b>	Max. shield diam.	<b>30 mm</b>
Package quantity	<b>10</b>	Width	<b>35 mm</b>
No. of shield clamps	<b>1</b>	Height	<b>40,5 mm</b>
Length	<b>45,9 mm</b>		
Strain relief (acc. to EN 62444)	<b>1</b>		
For max. no. of <b>1</b> cables			

Part No.	<b>37680</b>	Min. shield	<b>3 mm</b>
EAN	<b>4251269323</b>	diam.	
	<b>652</b>	Max. shield	<b>12 mm</b>
Package	<b>10</b>	diam.	
quantity		Width	<b>19 mm</b>
No. of shield	<b>1</b>	Height	<b>36 mm</b>
clamps		Mounting	<b>52 mm</b>
Length	<b>45,9 mm</b>	height	
Strain relief	<b>1</b>		
(acc. to EN			
62444)			
For max. no. of	<b>1</b>		
cables			

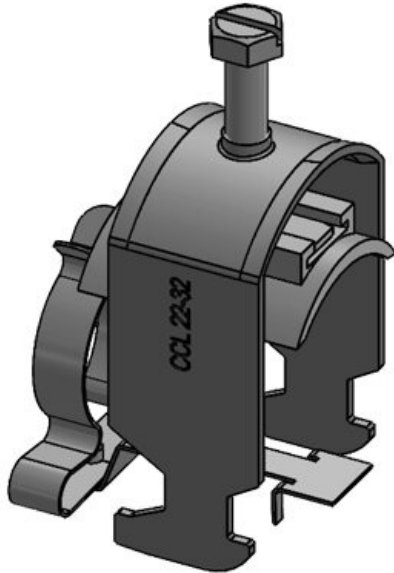


Part No.	<b>37681</b>	Min. shield	<b>8 mm</b>
EAN	<b>4251269323</b>	diam.	
	<b>669</b>	Max. shield	<b>18 mm</b>
Package	<b>10</b>	diam.	
quantity		Width	<b>22 mm</b>
No. of shield	<b>1</b>	Height	<b>36 mm</b>
clamps		Mounting	<b>57 mm</b>
Length	<b>45,9 mm</b>	height	
Strain relief	<b>1</b>		
(acc. to EN			
62444)			
For max. no. of	<b>1</b>		
cables			



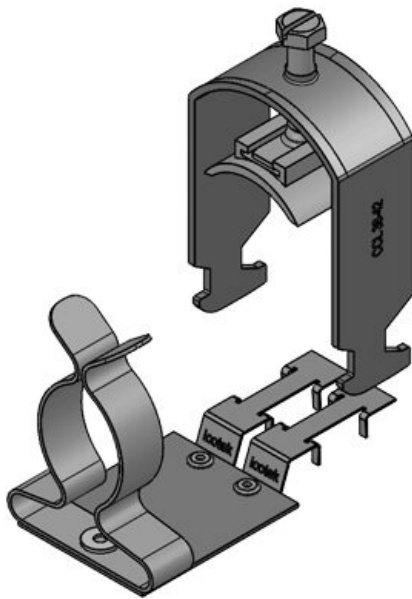


Part No.	<b>37682</b>	Min. shield	<b>17 mm</b>
EAN	<b>4251269323</b>	diam.	
	<b>676</b>	Max. shield	<b>22 mm</b>
Package	<b>10</b>	diam.	
quantity		Width	<b>26,5 mm</b>
No. of shield	<b>1</b>	Height	<b>38 mm</b>
clamps		Mounting	<b>62 mm</b>
Length	<b>45,9 mm</b>	height	
Strain relief	<b>1</b>		
(acc. to EN			
62444)			
For max. no. of	<b>1</b>		
cables			

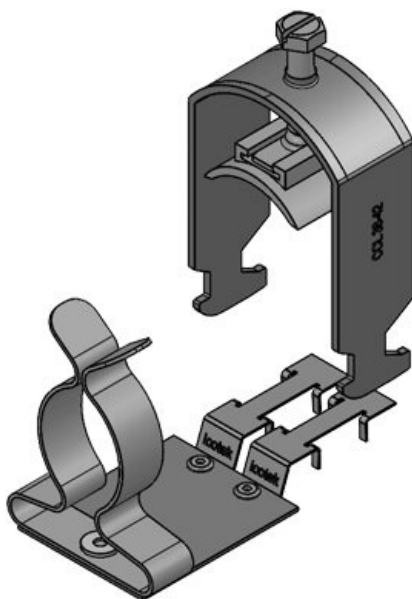


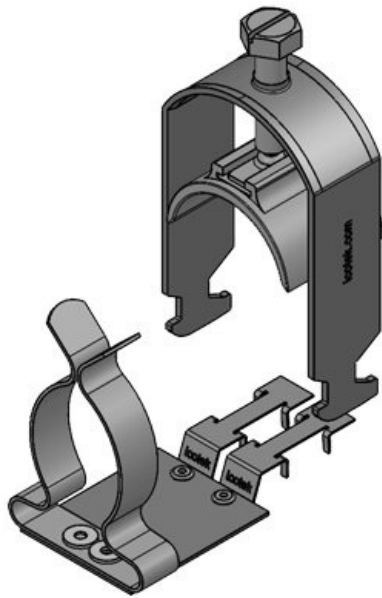
Part No.	<b>37683</b>	Min. shield	<b>22 mm</b>
EAN	<b>4251269323</b>	diam.	
	<b>683</b>	Max. shield	<b>30 mm</b>
Package	<b>10</b>	diam.	
quantity		Width	<b>38 mm</b>
No. of shield	<b>1</b>	Height	<b>52 mm</b>
clamps		Mounting	<b>72 mm</b>
Length	<b>45,9 mm</b>	height	
Strain relief	<b>1</b>		
(acc. to EN			
62444)			
For max. no. of	<b>1</b>		
cables			

Part No.	<b>37688</b>	Min. shield	<b>30 mm</b>
EAN	<b>4251269324</b>	diam.	
	<b>192</b>	Max. shield	<b>38 mm</b>
Package	<b>10</b>	diam.	
quantity		Width	<b>44 mm</b>
No. of shield	<b>1</b>	Height	<b>62 mm</b>
clamps		Mounting	<b>78 mm</b>
Length	<b>87,7 mm</b>	height	
Strain relief	<b>1</b>		
(acc. to EN			
62444)			
For max. no. of	<b>1</b>		
cables			

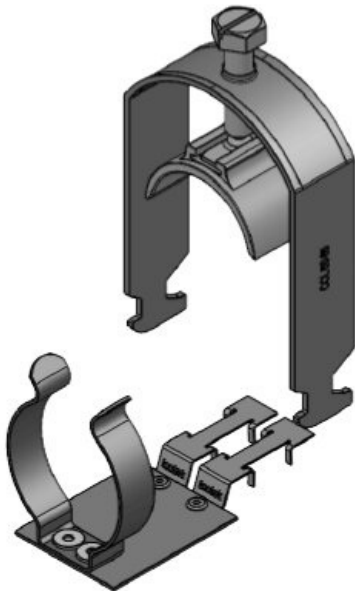


Part No.	<b>37684</b>	Min. shield	<b>30 mm</b>
EAN	<b>4251269323</b>	diam.	
	<b>782</b>	Max. shield	<b>38 mm</b>
Package	<b>10</b>	diam.	
quantity		Width	<b>48 mm</b>
No. of shield	<b>1</b>	Height	<b>67 mm</b>
clamps		Mounting	<b>82 mm</b>
Length	<b>87,7 mm</b>	height	
Strain relief	<b>1</b>		
(acc. to EN			
62444)			
For max. no. of	<b>1</b>		
cables			



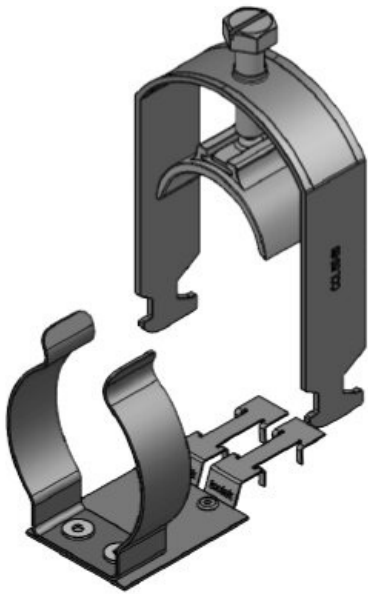


Part No.	<b>37685</b>	Min. shield	<b>38 mm</b>
EAN	<b>4251269323</b>	diam.	
	<b>799</b>	Max. shield	<b>48 mm</b>
Package	<b>10</b>	diam.	
quantity		Width	<b>55 mm</b>
No. of shield	<b>1</b>	Height	<b>83 mm</b>
clamps		Mounting	<b>101 mm</b>
Length	<b>87,7 mm</b>	height	
Strain relief	<b>1</b>		
(acc. to EN			
62444)			
For max. no. of	<b>1</b>		
cables			

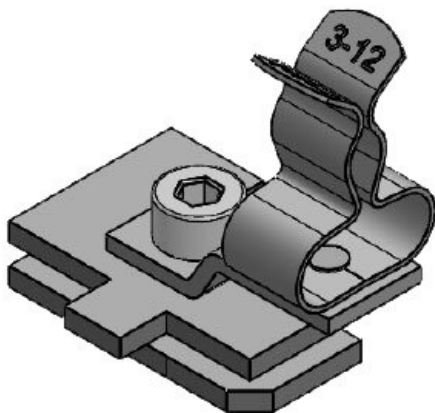


Part No.	<b>37686</b>	Min. shield	<b>44 mm</b>
EAN	<b>4251269323</b>	diam.	
	<b>805</b>	Max. shield	<b>56 mm</b>
Package	<b>10</b>	diam.	
quantity		Width	<b>69 mm</b>
No. of shield	<b>1</b>	Height	<b>98 mm</b>
clamps		Mounting	<b>116 mm</b>
Length	<b>87,7 mm</b>	height	
Strain relief	<b>1</b>		
(acc. to EN			
62444)			
For max. no. of	<b>1</b>		
cables			

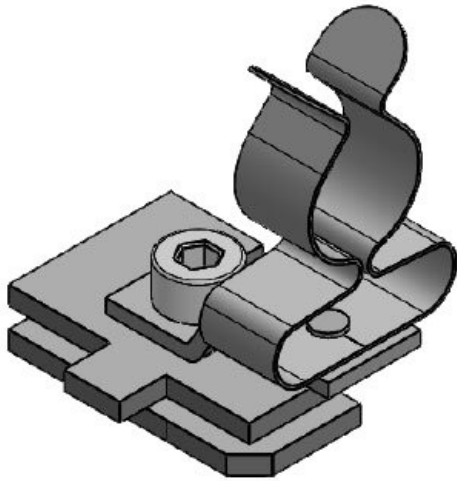
Part No.	<b>37687</b>	Min. shield diam.	<b>56 mm</b>
EAN	<b>4251269323</b>	Max. shield diam.	<b>62 mm</b>
Package quantity	<b>10</b>	Width	<b>69 mm</b>
No. of shield clamps	<b>1</b>	Height	<b>98 mm</b>
Length	<b>87,7 mm</b>	Mounting height	<b>116 mm</b>
Strain relief (acc. to EN 62444)	<b>1</b>		
For max. no. of cables	<b>1</b>		



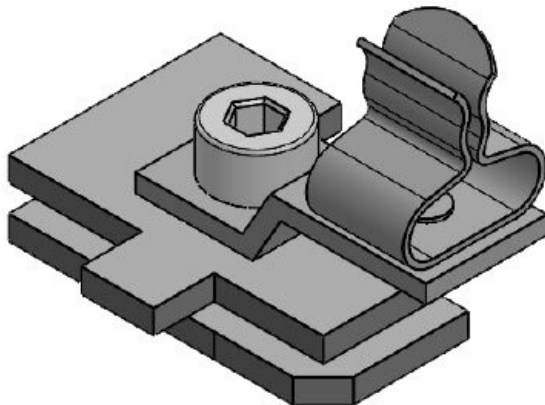
Part No.	<b>37608.100</b>	Length	<b>32 mm</b>
EAN	<b>4251269320</b>	Width	<b>22,5 mm</b>
Package quantity	<b>10</b>	Height	<b>34,5 mm</b>
No. of shield clamps	<b>1</b>	Mounting height	<b>28 mm</b>
For max. no. of cables	<b>1</b>		
Min. shield diam.	<b>3 mm</b>		
Max. shield diam.	<b>12 mm</b>		







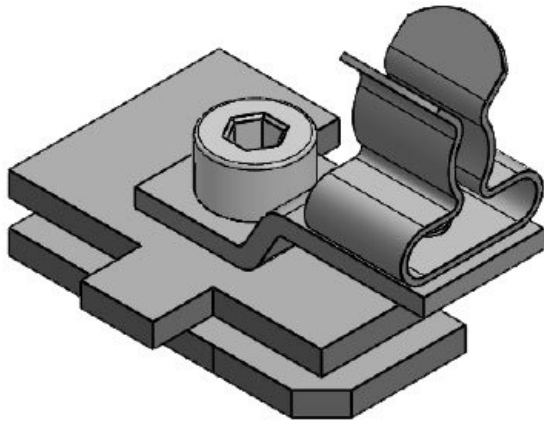
Part No.	<b>37610.100</b>	Length	<b>32 mm</b>
EAN	<b>4251269320</b>	Width	<b>22,5 mm</b>
	<b>156</b>	Height	<b>40,7 mm</b>
Package quantity	<b>10</b>	Mounting height	<b>34,2 mm</b>
No. of shield clamps	<b>1</b>		
For max. no. of cables	<b>1</b>		
Min. shield diam.	<b>8 mm</b>		
Max. shield diam.	<b>18 mm</b>		



Part No.	<b>36251.100</b>	Length	<b>32</b>
EAN	<b>4251269320</b>	Width	<b>22,5</b>
	<b>071</b>	Height	<b>26,9</b>
Package quantity	<b>10</b>	Mounting height	<b>20,4</b>
No. of shield clamps	<b>1</b>		
For max. no. of cables	<b>1</b>		
Min. shield diam.	<b>1,5 mm</b>		
Max. shield diam.	<b>3 mm</b>		

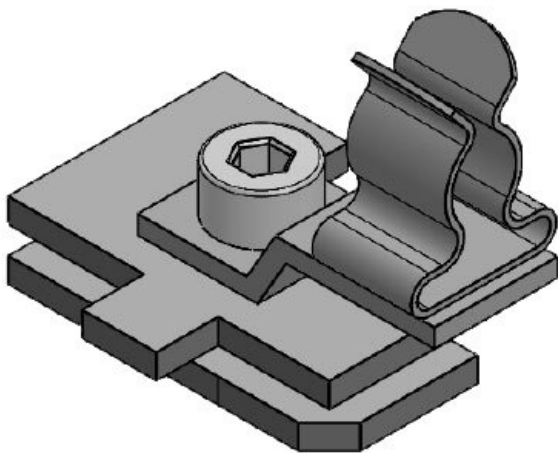
SC|LF|SKL 3-6

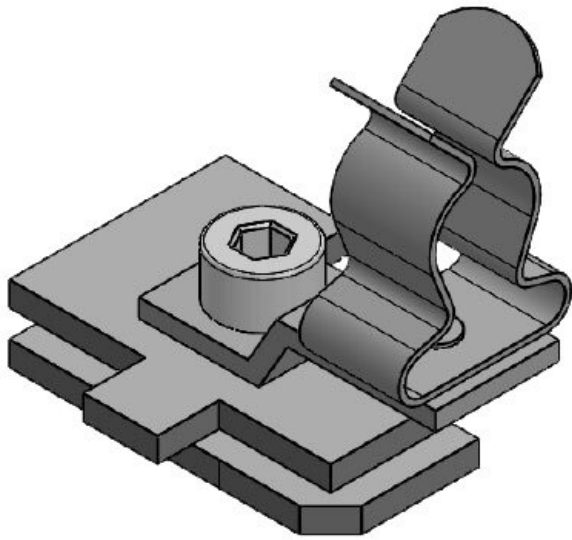
Part No.	<b>36253.100</b>	Length	<b>32 mm</b>
EAN	<b>4251269320</b>	Width	<b>22,5 mm</b>
	<b>088</b>	Height	<b>27,5 mm</b>
Package quantity	<b>10</b>	Mounting height	<b>21 mm</b>
No. of shield clamps	<b>1</b>		
For max. no. of cables	<b>1</b>		
Min. shield diam.	<b>3 mm</b>		
Max. shield diam.	<b>6 mm</b>		



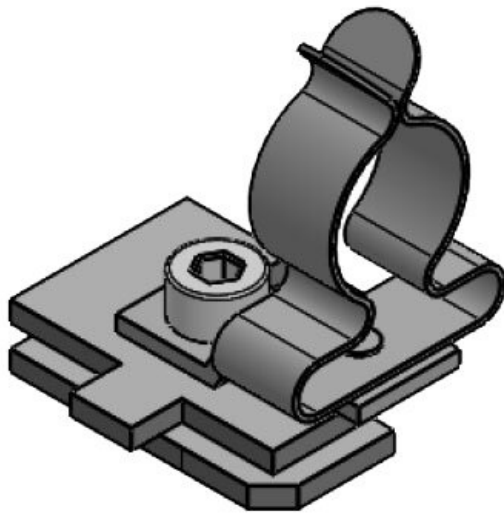
SC|LF|SKL 6-8

Part No.	<b>36255.100</b>	Length	<b>32 mm</b>
EAN	<b>4251269320</b>	Width	<b>22,5 mm</b>
	<b>095</b>	Height	<b>29 mm</b>
Package quantity	<b>10</b>	Mounting height	<b>22,5 mm</b>
No. of shield clamps	<b>1</b>		
For max. no. of cables	<b>1</b>		
Min. shield diam.	<b>6 mm</b>		
Max. shield diam.	<b>8 mm</b>		



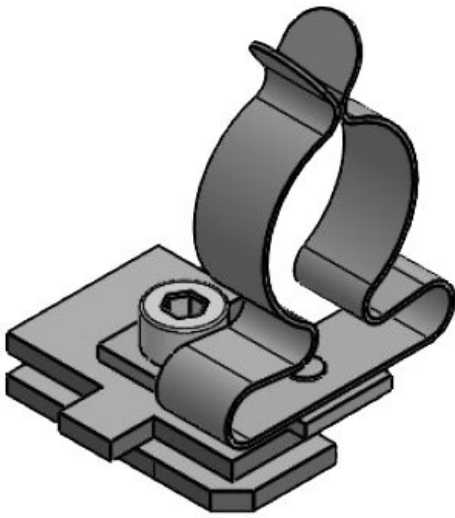


Part No.	<b>36256.100</b>	Length	<b>32 mm</b>
EAN	<b>4251269320</b>	Width	<b>22,5 mm</b>
	<b>101</b>	Height	<b>34 mm</b>
Package quantity	<b>10</b>	Mounting height	<b>27,5 mm</b>
No. of shield clamps	<b>1</b>		
For max. no. of cables	<b>1</b>		
Min. shield diam.	<b>8 mm</b>		
Max. shield diam.	<b>11 mm</b>		

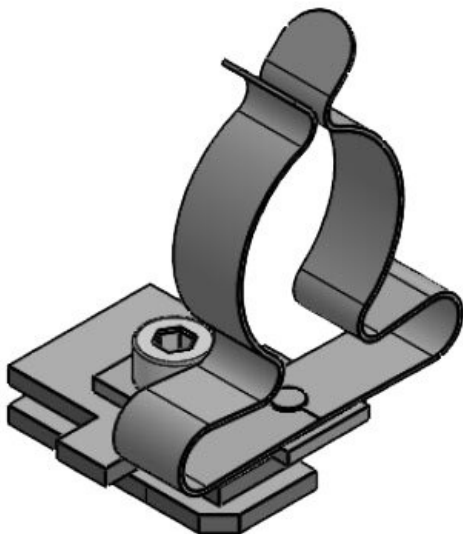


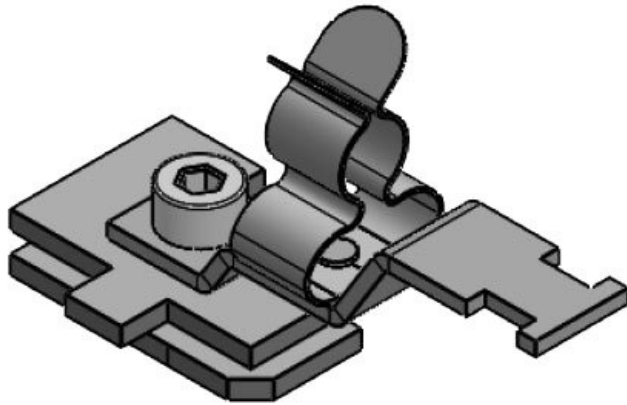
Part No.	<b>36257.100</b>	Length	<b>32 mm</b>
EAN	<b>4251269320</b>	Width	<b>23 mm</b>
	<b>118</b>	Height	<b>41 mm</b>
Package quantity	<b>10</b>	Mounting height	<b>34,5 mm</b>
No. of shield clamps	<b>1</b>		
For max. no. of cables	<b>1</b>		
Min. shield diam.	<b>11 mm</b>		
Max. shield diam.	<b>17 mm</b>		

Part No.	<b>36258.100</b>	Length	<b>32 mm</b>
EAN	<b>4251269320</b>	Width	<b>26,5 mm</b>
	<b>125</b>	Height	<b>48,5 mm</b>
Package quantity	<b>10</b>	Mounting height	<b>42 mm</b>
No. of shield clamps	<b>1</b>		
For max. no. of cables	<b>1</b>		
Min. shield diam.	<b>17 mm</b>		
Max. shield diam.	<b>22 mm</b>		

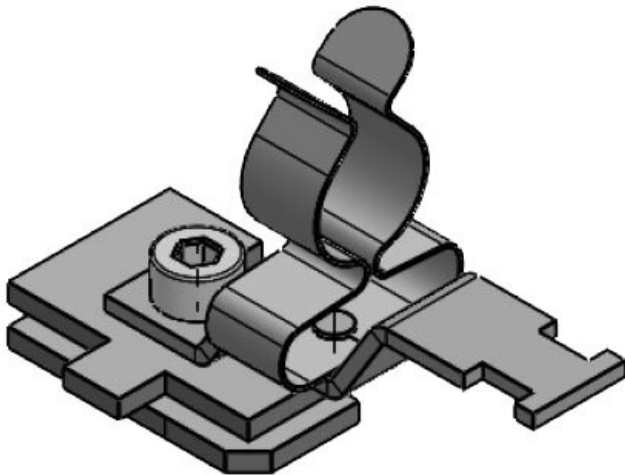


Part No.	<b>36259.100</b>	Length	<b>32 mm</b>
EAN	<b>4251269320</b>	Width	<b>35 mm</b>
	<b>132</b>	Height	<b>52,9 mm</b>
Package quantity	<b>10</b>	Mounting height	<b>46,4 mm</b>
No. of shield clamps	<b>1</b>		
For max. no. of cables	<b>1</b>		
Min. shield diam.	<b>22 mm</b>		
Max. shield diam.	<b>30 mm</b>		



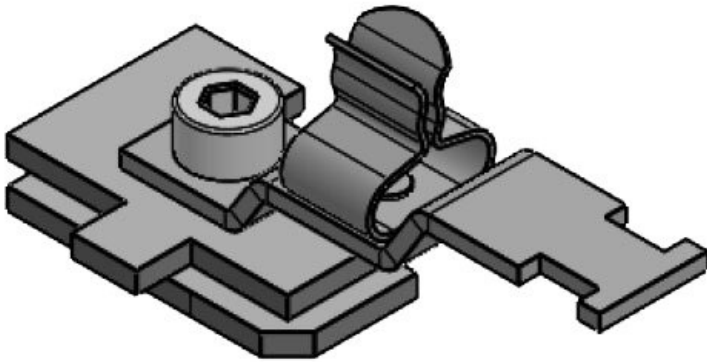


Part No.	<b>37612.100</b>	Max. shield diam.	<b>12 mm</b>
EAN	<b>4251269320</b>		
	<b>248</b>	Length	<b>54,3 mm</b>
Package quantity	<b>10</b>	Width	<b>22,5 mm</b>
No. of shield clamps	<b>1</b>	Height	<b>34,5 mm</b>
Strain relief (acc. to EN 62444)	<b>1</b>	Mounting height	<b>28 mm</b>
For max. no. of cables			
Min. shield diam.	<b>3 mm</b>		

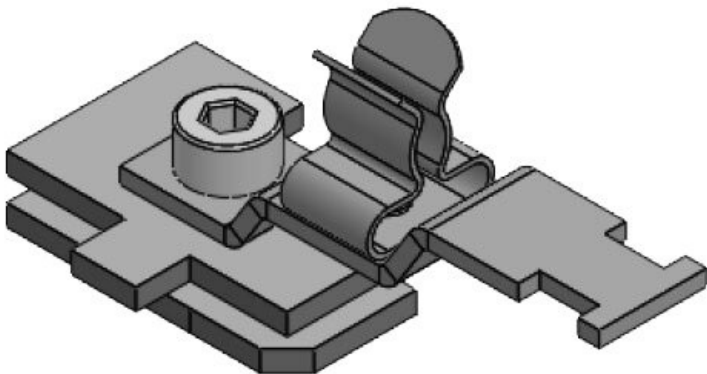


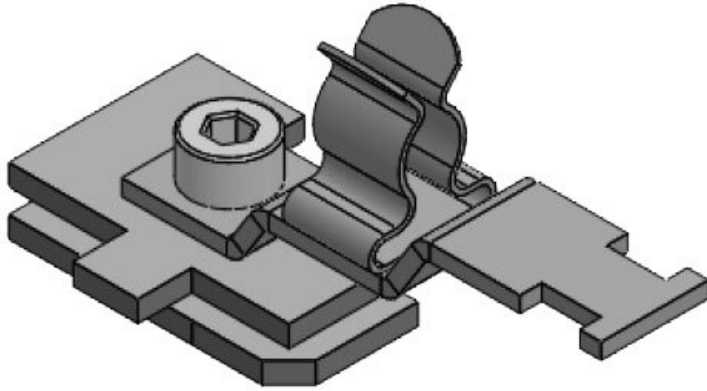
Part No.	<b>37614.100</b>	Max. shield diam.	<b>18 mm</b>
EAN	<b>4251269320</b>		
	<b>255</b>	Length	<b>54,3 mm</b>
Package quantity	<b>10</b>	Width	<b>22,5 mm</b>
No. of shield clamps	<b>1</b>	Height	<b>40,7 mm</b>
Strain relief (acc. to EN 62444)	<b>1</b>	Mounting height	<b>34,2 mm</b>
For max. no. of cables			
Min. shield diam.	<b>8 mm</b>		

Part No.	<b>36910.100</b>	Max. shield diam.	<b>3 mm</b>
EAN	<b>4251269320</b>	Length	<b>52,4 mm</b>
	<b>163</b>	Width	<b>22,5 mm</b>
Package quantity	<b>10</b>	Height	<b>26,9 mm</b>
No. of shield clamps	<b>1</b>	Mounting height	<b>20,4 mm</b>
Strain relief (acc. to EN 62444)	<b>1</b>		
For max. no. of cables	<b>1</b>		
Min. shield diam.	<b>1,5 mm</b>		

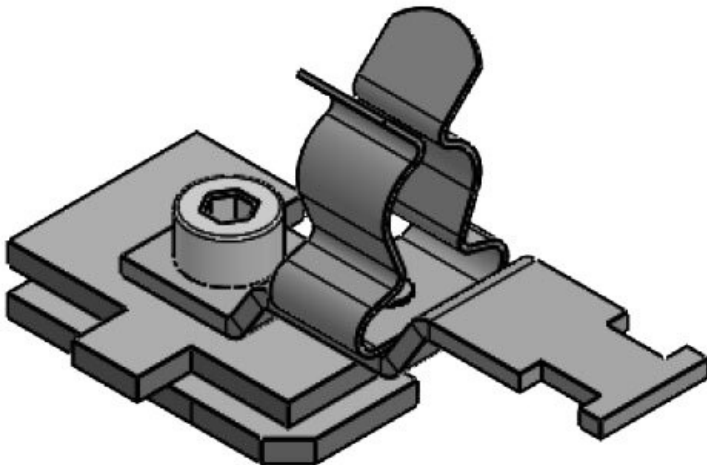


Part No.	<b>36915.100</b>	Max. shield diam.	<b>6 mm</b>
EAN	<b>4251269320</b>	Length	<b>52,4 mm</b>
	<b>170</b>	Width	<b>22,5 mm</b>
Package quantity	<b>10</b>	Height	<b>27,5 mm</b>
No. of shield clamps	<b>1</b>	Mounting height	<b>21 mm</b>
Strain relief (acc. to EN 62444)	<b>1</b>		
For max. no. of cables	<b>1</b>		
Min. shield diam.	<b>3 mm</b>		



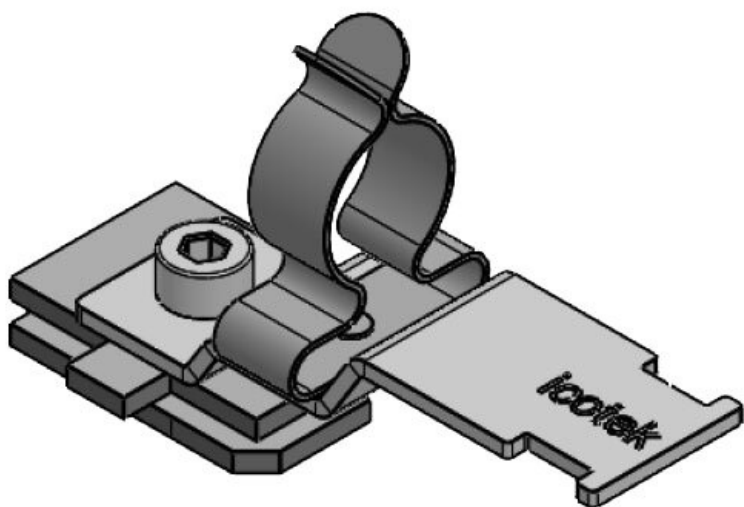


Part No.	<b>36920.100</b>	Max. shield diam.	<b>8 mm</b>
EAN	<b>4251269320</b>	Length	<b>52,4 mm</b>
	<b>187</b>	Width	<b>22,5 mm</b>
Package quantity	<b>10</b>	Height	<b>29 mm</b>
No. of shield clamps	<b>1</b>	Mounting height	<b>22,5 mm</b>
Strain relief (acc. to EN 62444)	<b>1</b>		
For max. no. of cables	<b>1</b>		
Min. shield diam.	<b>6 mm</b>		

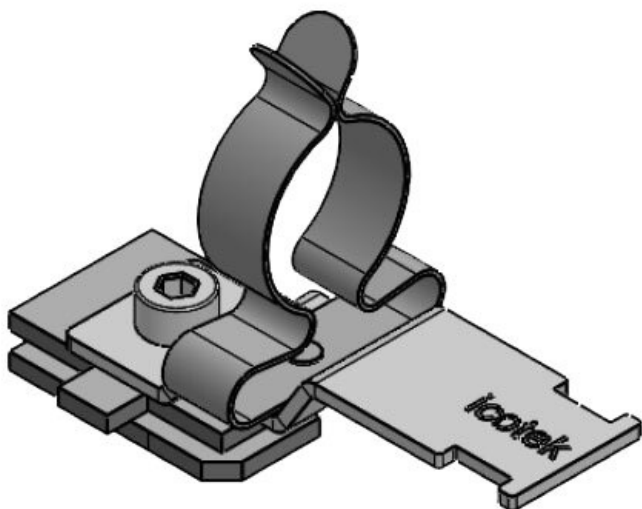


Part No.	<b>36925.100</b>	Max. shield diam.	<b>11 mm</b>
EAN	<b>4251269320</b>	Length	<b>52,4 mm</b>
	<b>194</b>	Width	<b>22,5 mm</b>
Package quantity	<b>10</b>	Height	<b>34 mm</b>
No. of shield clamps	<b>1</b>	Mounting height	<b>27,5 mm</b>
Strain relief (acc. to EN 62444)	<b>1</b>		
For max. no. of cables	<b>1</b>		
Min. shield diam.	<b>8 mm</b>		

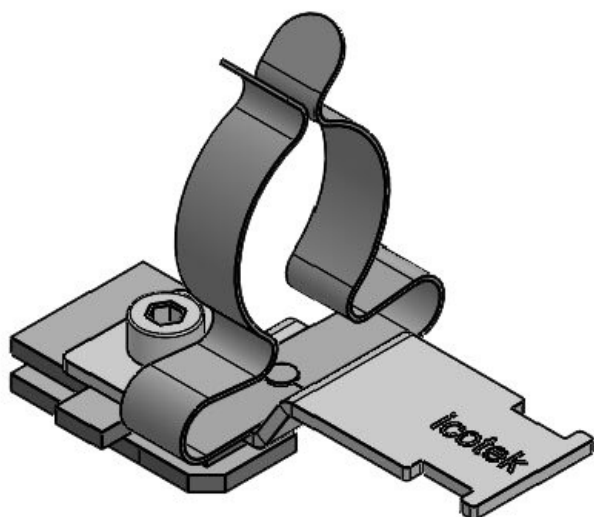
Part No.	<b>36930.100</b>	Max. shield	<b>17 mm</b>
EAN	<b>4251269320</b>	diam.	
	<b>200</b>	Length	<b>62 mm</b>
Package	<b>10</b>	Width	<b>23 mm</b>
quantity		Height	<b>41 mm</b>
No. of shield	<b>1</b>	Mounting	<b>34,5 mm</b>
clamps		height	
Strain relief	<b>1</b>		
(acc. to EN			
62444)			
For max. no. of	<b>1</b>		
cables			
Min. shield	<b>11 mm</b>		
diam.			



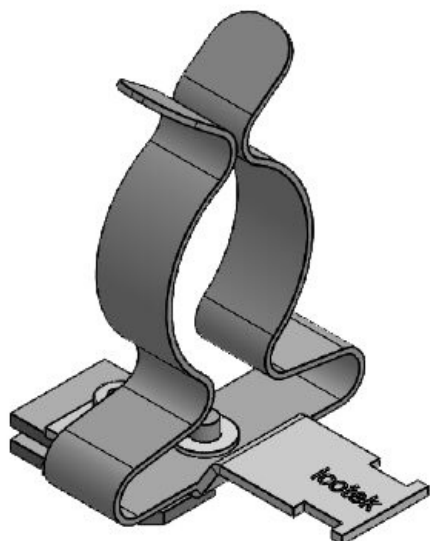
Part No.	<b>36935.100</b>	Max. shield	<b>22 mm</b>
EAN	<b>4251269320</b>	diam.	
	<b>217</b>	Length	<b>62 mm</b>
Package	<b>10</b>	Width	<b>26,5 mm</b>
quantity		Height	<b>48,5 mm</b>
No. of shield	<b>1</b>	Mounting	<b>42 mm</b>
clamps		height	
Strain relief	<b>1</b>		
(acc. to EN			
62444)			
For max. no. of	<b>1</b>		
cables			
Min. shield	<b>17 mm</b>		
diam.			





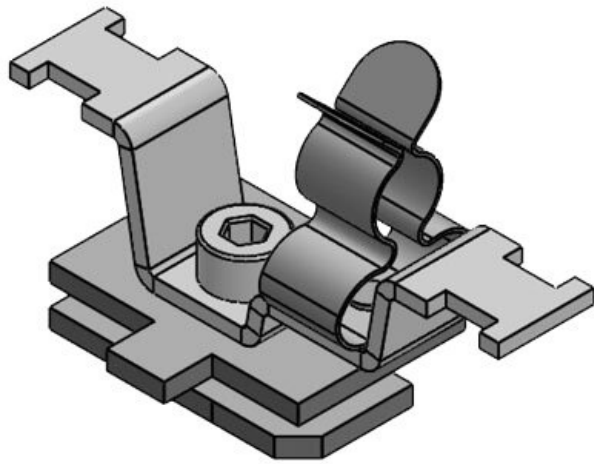


Part No.	<b>36940.100</b>	Max. shield	<b>30 mm</b>
EAN	<b>4251269320</b>	diam.	
	<b>224</b>	Length	<b>62 mm</b>
Package	<b>10</b>	Width	<b>35 mm</b>
quantity		Height	<b>52,9 mm</b>
No. of shield	<b>1</b>	Mounting	<b>46,4 mm</b>
clamps		height	
Strain relief	<b>1</b>		
(acc. to EN			
62444)			
For max. no. of	<b>1</b>		
cables			
Min. shield	<b>22 mm</b>		
diam.			

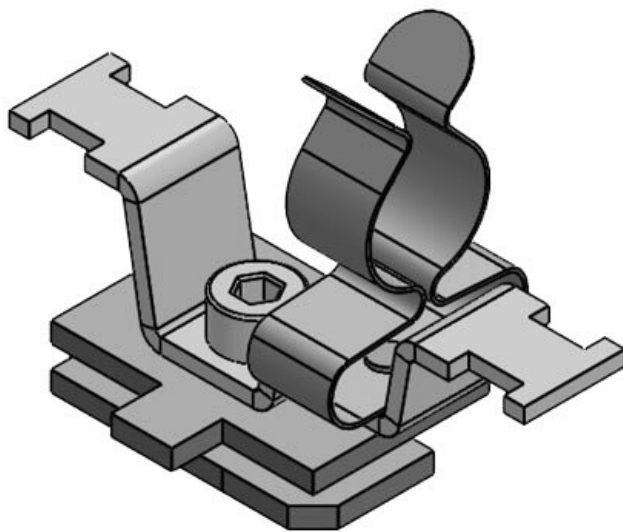


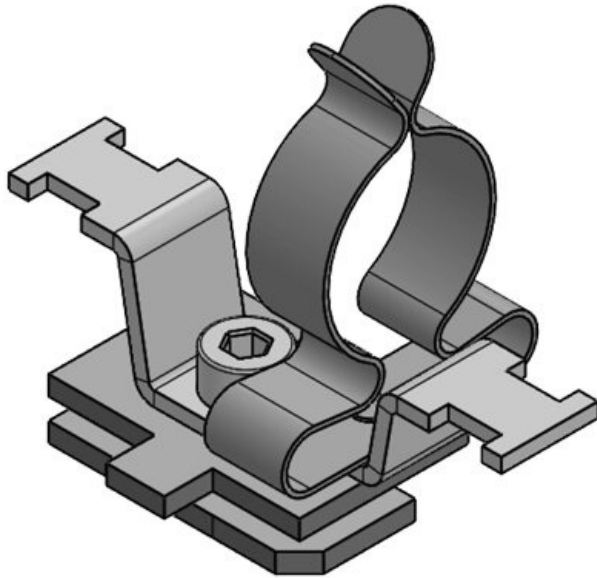
Part No.	<b>36941.100</b>	Max. shield	<b>38 mm</b>
EAN	<b>4251269320</b>	diam.	
	<b>231</b>	Length	<b>62 mm</b>
Package	<b>10</b>	Width	<b>46,5 mm</b>
quantity		Height	<b>76,5 mm</b>
No. of shield	<b>1</b>	Mounting	<b>70 mm</b>
clamps		height	
Strain relief	<b>1</b>		
(acc. to EN			
62444)			
For max. no. of	<b>1</b>		
cables			
Min. shield	<b>30 mm</b>		
diam.			

Part No.	<b>37612.150</b>	For max. no. of	<b>1</b>
EAN	<b>4251269321</b>	cables	
	<b>337</b>	Min. shield	<b>3 mm</b>
Package	<b>10</b>	diam.	
quantity		Max. shield	<b>12 mm</b>
No. of shield	<b>1</b>	diam.	
clamps		Height	<b>28 mm</b>
Length	<b>51 mm</b>		
Width	<b>22,5 mm</b>		
Strain relief	<b>1</b>		
(acc. to EN			
62444)			

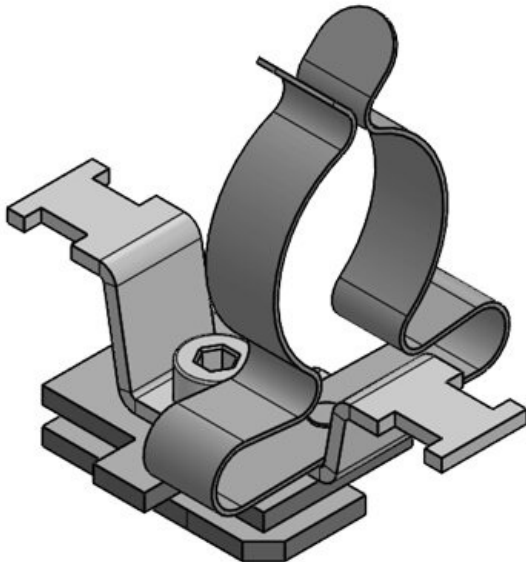


Part No.	<b>37614.150</b>	For max. no. of	<b>1</b>
EAN	<b>4251269321</b>	cables	
	<b>344</b>	Min. shield	<b>8 mm</b>
Package	<b>10</b>	diam.	
quantity		Max. shield	<b>18 mm</b>
No. of shield	<b>1</b>	diam.	
clamps		Height	<b>34,2 mm</b>
Length	<b>51 mm</b>		
Width	<b>22,5 mm</b>		
Strain relief	<b>1</b>		
(acc. to EN			
62444)			





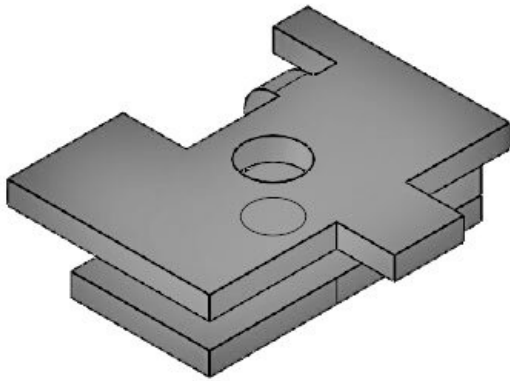
Part No.	<b>37594.150</b>	For max. no. of <b>1</b>
EAN	<b>4251269324</b>	cables
	<b>895</b>	Min. shield <b>17 mm</b>
Package quantity	<b>10</b>	diam.
No. of shield clamps	<b>1</b>	Max. shield <b>22 mm</b>
Length	<b>51 mm</b>	diam.
Width	<b>22,5 mm</b>	Height <b>48,5 mm</b>
Strain relief (acc. to EN 62444)	<b>1</b>	



Part No.	<b>37595.150</b>	For max. no. of <b>1</b>
EAN	<b>4251269324</b>	cables
	<b>901</b>	Min. shield <b>22 mm</b>
Package quantity	<b>10</b>	diam.
No. of shield clamps	<b>1</b>	Max. shield <b>30 mm</b>
Length	<b>51 mm</b>	diam.
Width	<b>22,5 mm</b>	Height <b>53 mm</b>
Strain relief (acc. to EN 62444)	<b>1</b>	

SC single, with twist protection

Part No.	<b>36231</b>	No. of screw	<b>1</b>
EAN	<b>4251269302</b>	holes	
	<b>251</b>	Diam. of screw	<b>4,1 mm</b>
Package quantity	<b>10</b>	holes	
Length	<b>26 mm</b>	Thread	<b>M4</b>
Width	<b>22,5 mm</b>		
Height	<b>6,5 mm</b>		
Mounting height	<b>2 mm</b>		



---

**icotek**<sup>®</sup>  
smart cable management